

MD-55-18-E02497-A3
 SH.T. 2 OF 4
 REV. 0

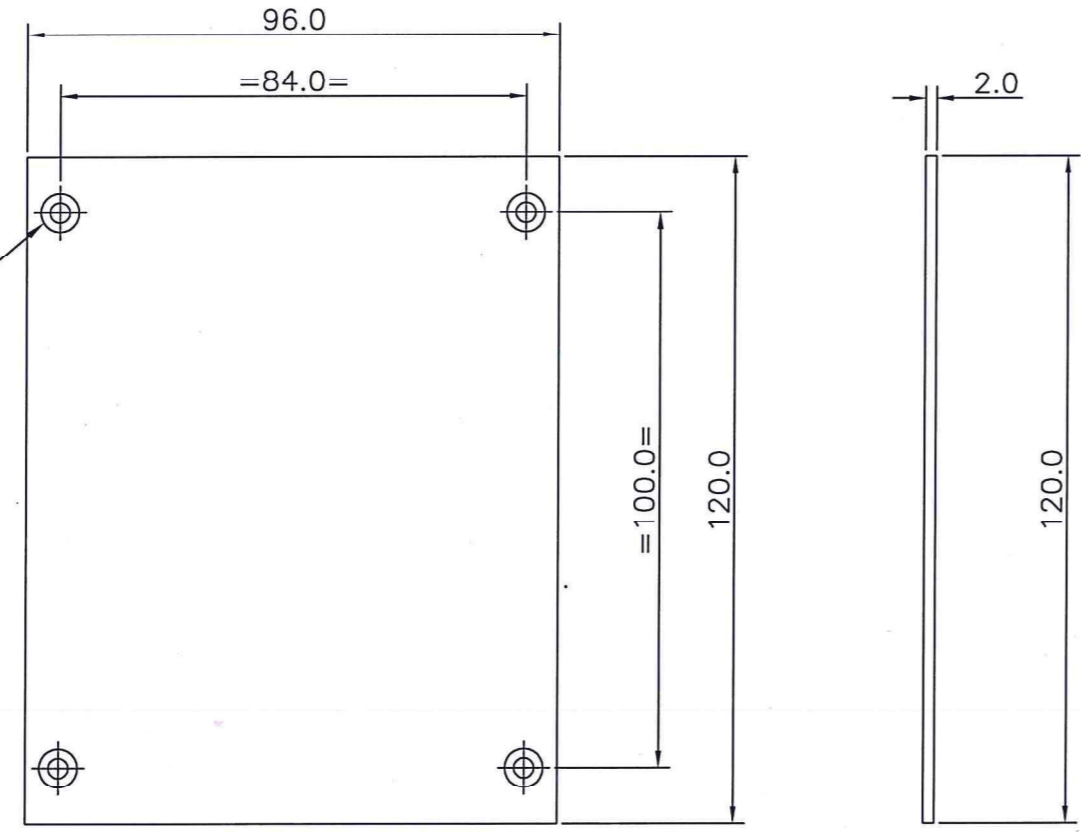
ORIGINAL
 (STAMPED IN RED)
 (CLEARANCE WOULD VARY AS PER WIDTH)

DIMENSIONS
 1T - 5.08 mm
 1U - 44.45 mm
 1W - 22.5 mm

ECIL PROPRIETARY
 THIS DOCUMENT IS THE PROPERTY OF ECIL. NO EXPLOITATION
 ANY INFORMATION CONTAINED HERE IN IS
 PERMITTED IN THE ABSENCE OF AN AGREEMENT WITH ECIL
 AND NEITHER THE DOCUMENT NOR ANY SUCH INFORMATION
 MAY BE RELEASED WITHOUT THE WRITTEN CONSENT OF ECIL.

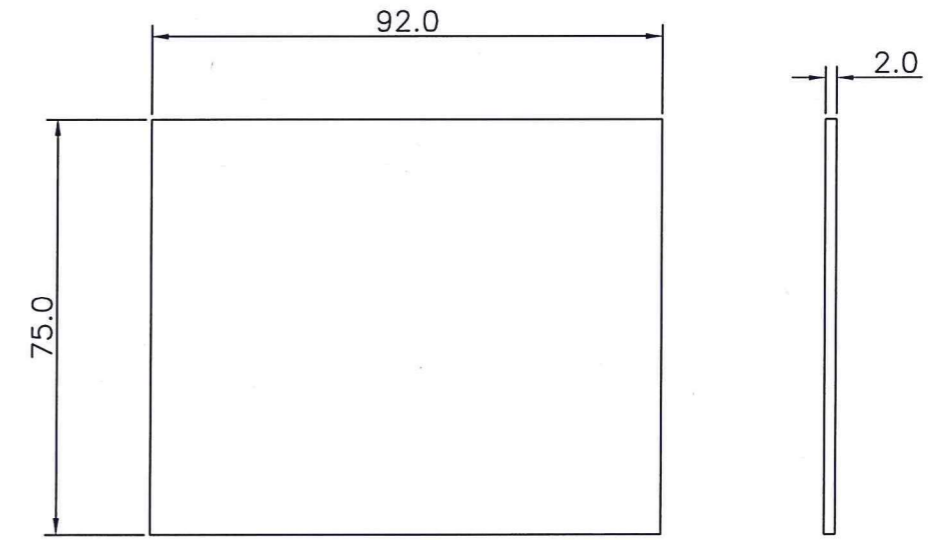
8 7 6 5 4 3 2 1

F
E
D
C
B
A



TOP PLATE

MATL.: ALUMINIUM ALLOY GRADE 64430-WP 2mm THK AS PER IS:737.
 NOTES: BURRS & ALL SHARP CORNERS SHALL BE REMOVED.



SIDE PLATE-1

MATL.: ALUMINIUM ALLOY GRADE 64430-WP 2mm THK AS PER IS:737.
 NOTES: BURRS & ALL SHARP CORNERS SHALL BE REMOVED.

TITLE				
BOTTOM, TOP & SIDE PLATE				
DRN	DRG.CHKD.	DES.	DES.CHKD.	APPD. <i>R. Sidde</i>
PRASHANT	ARAVIND	<i>A. d... R. Sidde</i>		PROJ.NO.49-400-00-000
ELECTRONICS CORPORATION OF INDIA LIMITED REACTOR PROJECTS DIVISION HYDERABAD-500062				DRG.No.
				MD-55-18-E02497-A3
				SHT. 2 OF 4
				REV. 0

ALL DIMENSIONS ARE IN mm UNLESS STATED
 OTHERWISE GENERAL TOLERANCE
 FULL NOS. ±0.3 1DEC.PLACE ±0.2

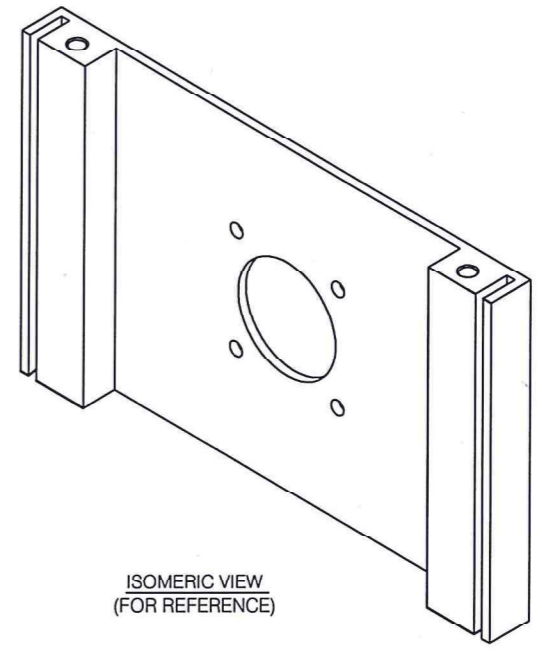
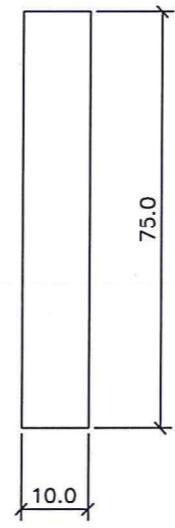
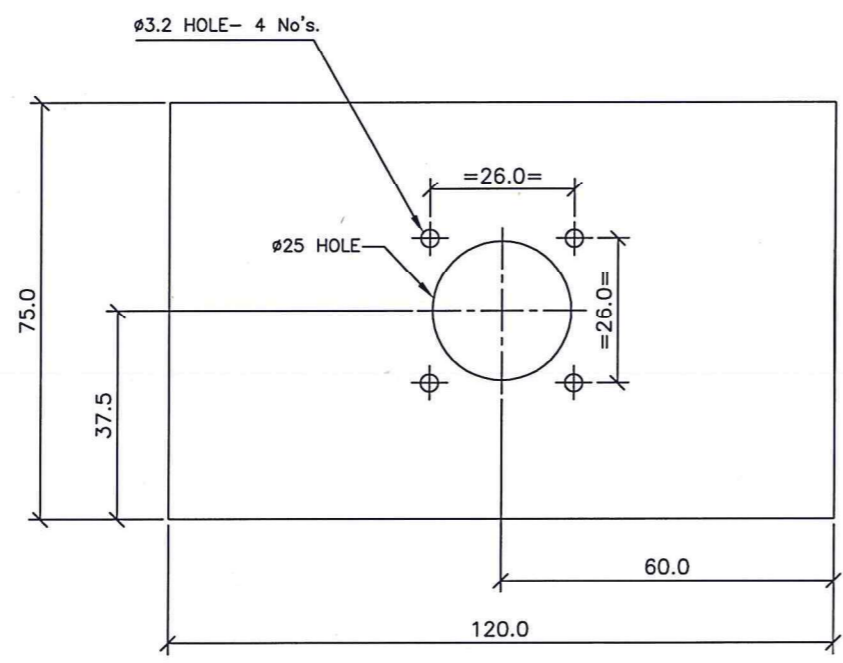
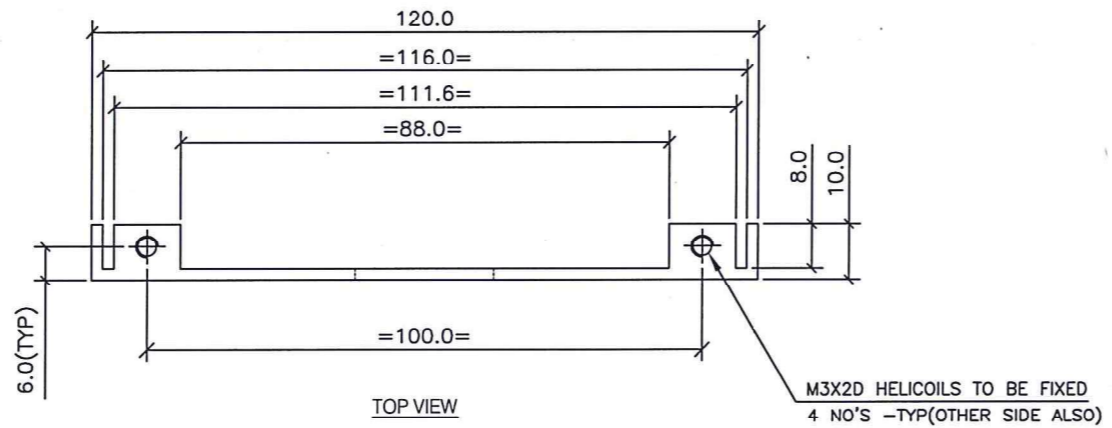
8 7 6 5 4 3 2 1

MD-55-18-E02497-A3
 SHT. 3 OF 4
 REV. 0

ORIGINAL
 (STAMPED IN RED)
 (CLARENCE WOULD VARY AS PER WIDTH)

DIMENSIONS
 1T - 5.08 mm
 1U - 44.45 mm
 1W - 22.5 mm
 (CLARENCE WOULD VARY AS PER WIDTH)

ECIL PROPRIETARY
 THIS DOCUMENT IS THE PROPERTY OF ECIL. NO EXPLOITATION
 ANY INFORMATION CONTAINED HERE IN IS
 PERMITTED IN THE ABSENCE OF AN AGREEMENT WITH ECIL
 AND NEITHER THE DOCUMENT NOR ANY SUCH INFORMATION
 MAY BE RELEASED WITHOUT THE WRITTEN CONSENT OF ECIL.



SIDE PLATE-2

MATL.: ALUMINIUM ALLOY GRADE 64430-WP AS PER IS 736.
 NOTES: BURRS & ALL SHARP CORNERS SHALL BE REMOVED.

ALL DIMENSIONS ARE IN mm UNLESS STATED
 OTHERWISE GENERAL TOLERANCE
 FULL NOS. ±0.3 1DEC.PLACE ±0.2

TITLE				
BOTTOM, TOP & SIDE PLATE				
DRN	DRG.CHKD.	DES.	DES.CHKD.	APPD. <i>R. Sidlap</i>
PRASHANT	ARAVIND	<i>@ Anil R. Sidlap</i>		PROJ.NO.49-400-00-000
ELECTRONICS CORPORATION OF INDIA LIMITED REACTOR PROJECTS DIVISION HYDERABAD-500062				DRG.No.
				MD-55-18-E02497-A3
				SHT. 3 OF 4
				REV. 0

MD-55-18-E02497-A3
SHT. 4 OF 4
REV. 0

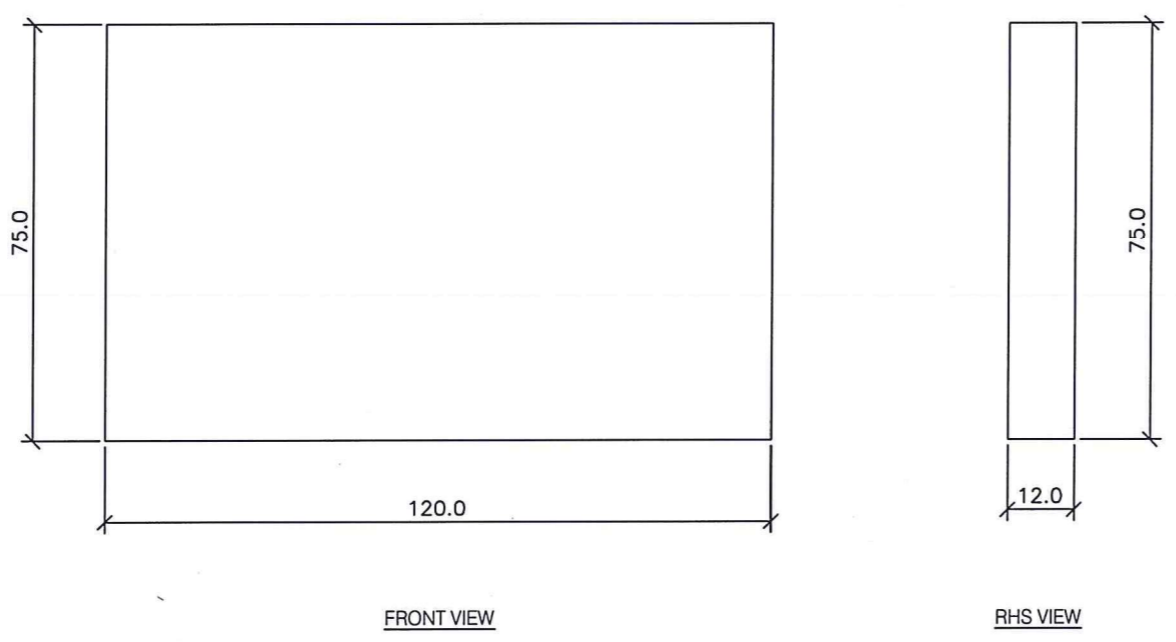
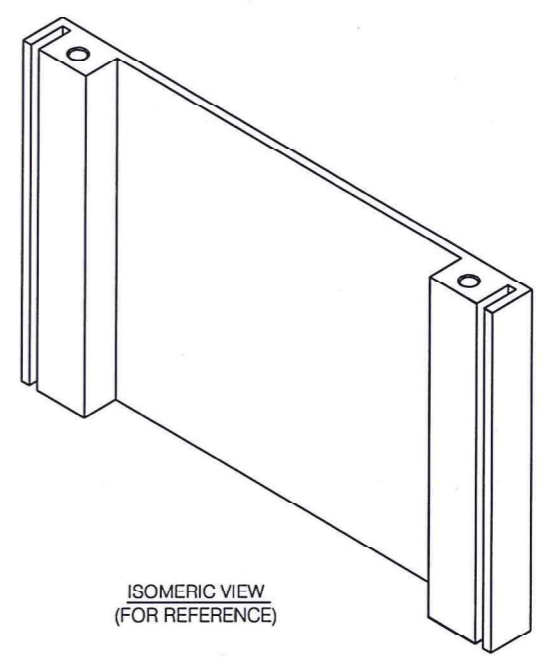
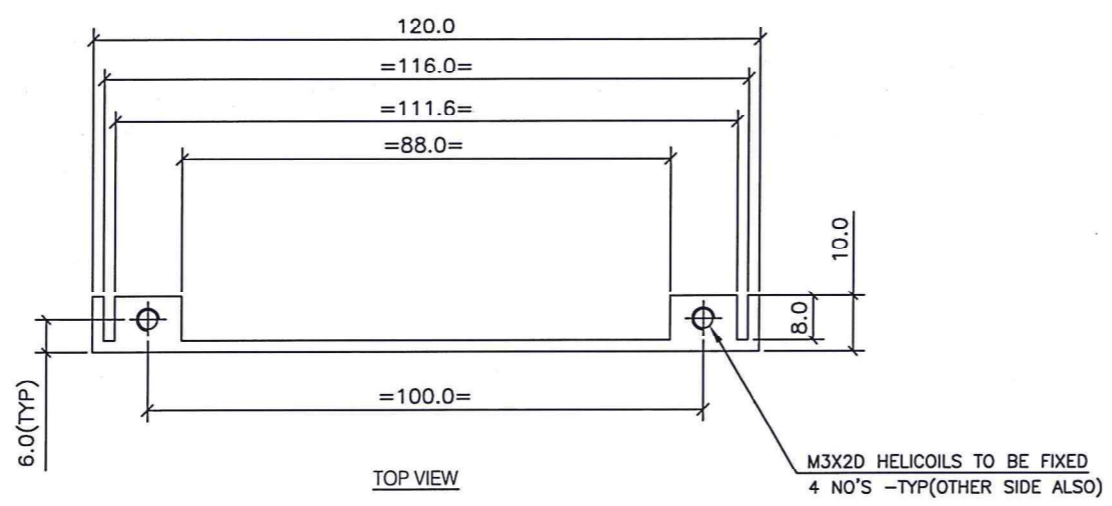
ORIGINAL
(STAMPED IN RED)
VARY AS PER WIDTH

DIMENSIONS
1T - 5.08 mm
1U - 44.45 mm
1W - 22.5 mm
(CLEARANCE WOULD VARY AS PER WIDTH)

ECIL PROPRIETARY
THIS DOCUMENT IS THE PROPERTY OF ECIL. NO EXPLOITATION
ANY INFORMATION CONTAINED HERE IN IS
PERMITTED IN THE ABSENCE OF AN AGREEMENT WITH ECIL
AND NEITHER THE DOCUMENT NOR ANY SUCH INFORMATION
MAY BE RELEASED WITHOUT THE WRITTEN CONSENT OF ECIL.

8 7 6 5 4 3 2 1


F
E
D
C
B
A



SIDE PLATE-3

MATL.: ALUMINIUM ALLOY GRADE 64430-WP AS PER IS 736.
NOTES: BURRS & ALL SHARP CORNERS SHALL BE REMOVED.

ALL DIMENSIONS ARE IN mm UNLESS STATED
OTHERWISE GENERAL TOLERANCE
FULL NOS. ±0.3 1DEC.PLACE ±0.2

TITLE				
BOTTOM, TOP & SIDE PLATE				
DRN	DRG.CHKD.	DES.	DES.CHKD.	APPD. <i>R. Sidla</i>
PRASHANT	ARAVIND	<i>@ Anil R. Sidla</i>	<i>R. Sidla</i>	PROJ.NO.49-400-00-000
 ELECTRONICS CORPORATION OF INDIA LIMITED REACTOR PROJECTS DIVISION HYDERABAD-500062				DRG.No.
				MD-55-18-E02497-A3
				SHT. 4 OF 4
				REV. 0

8 7 6 5 4 3 2 1

